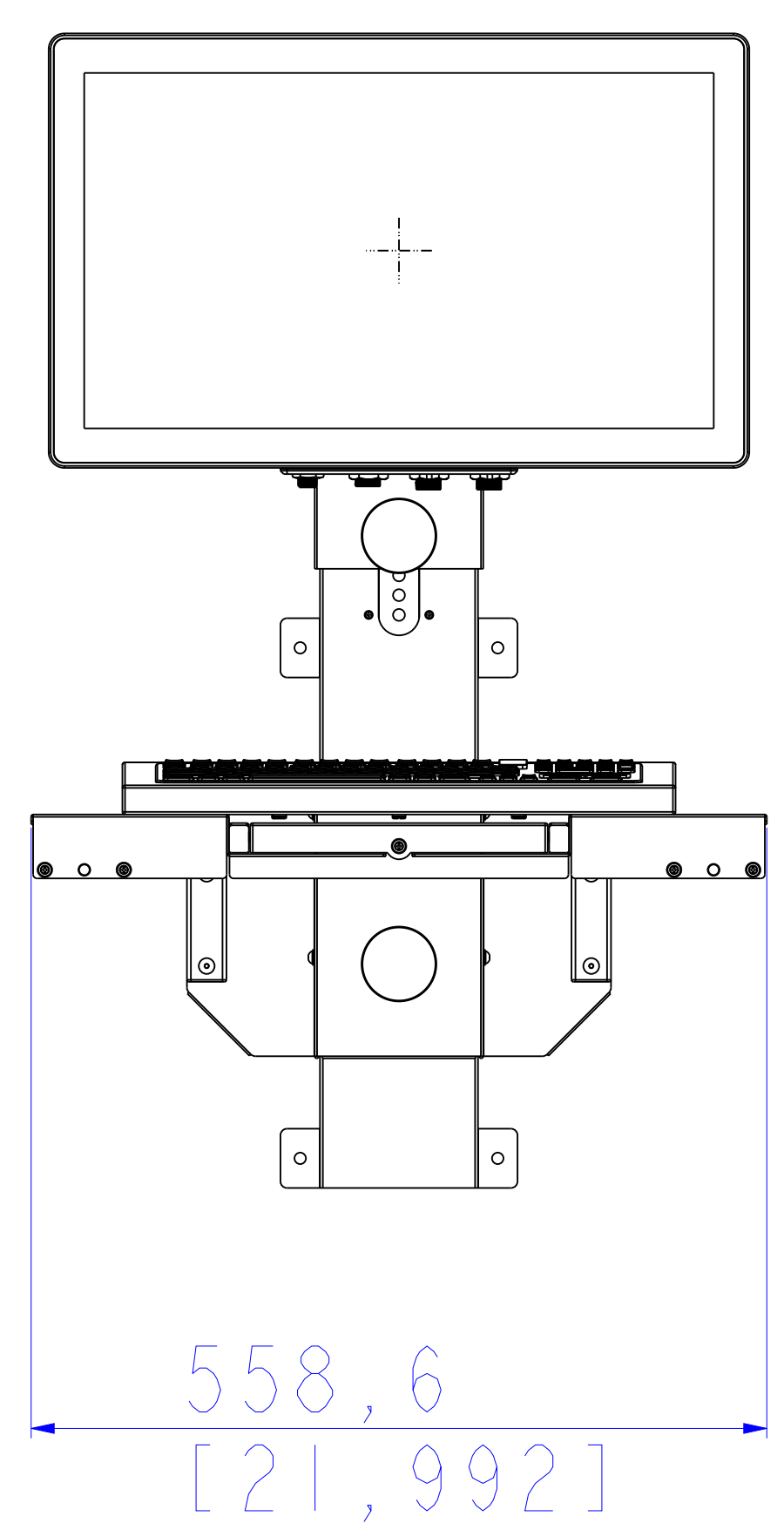
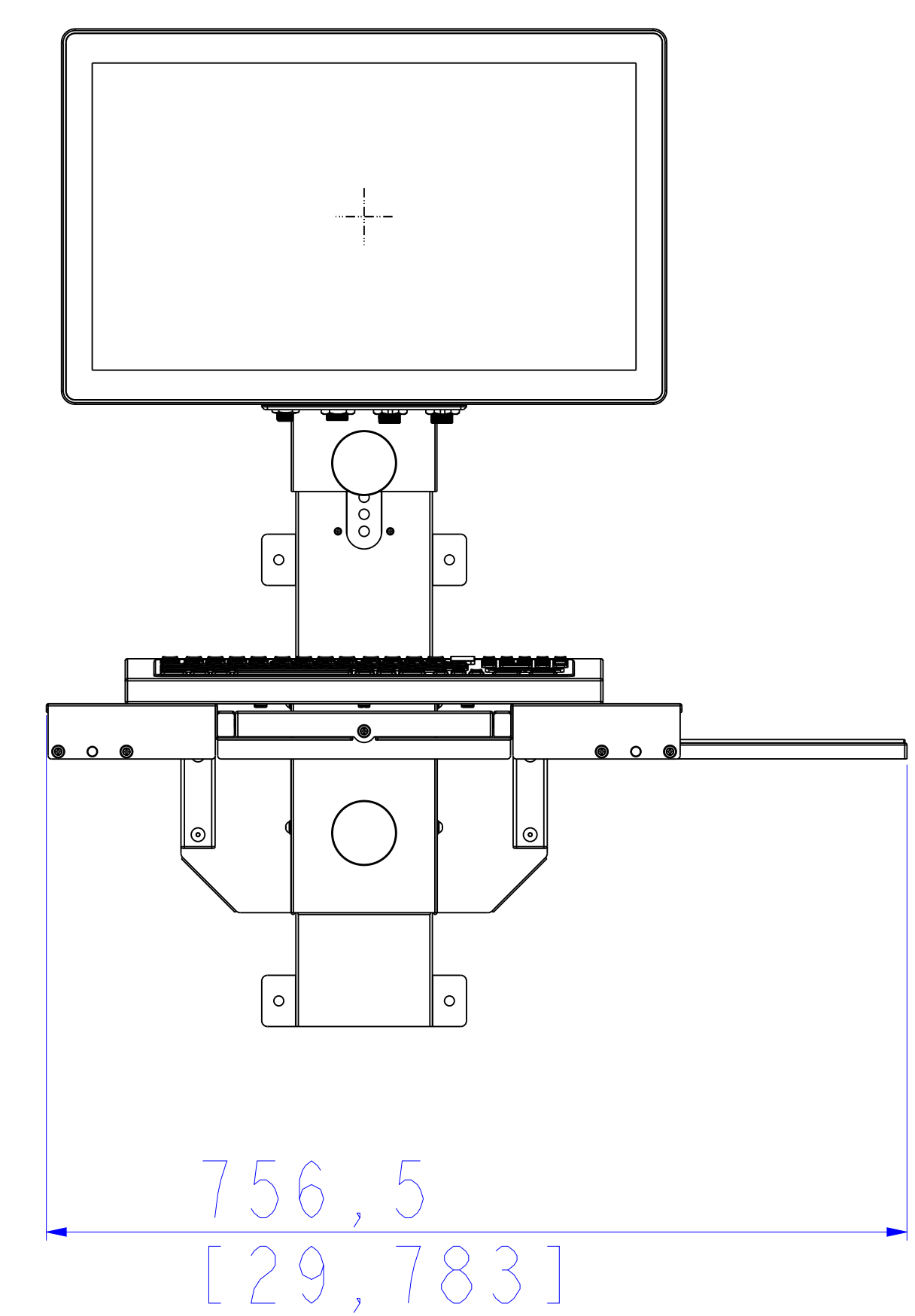
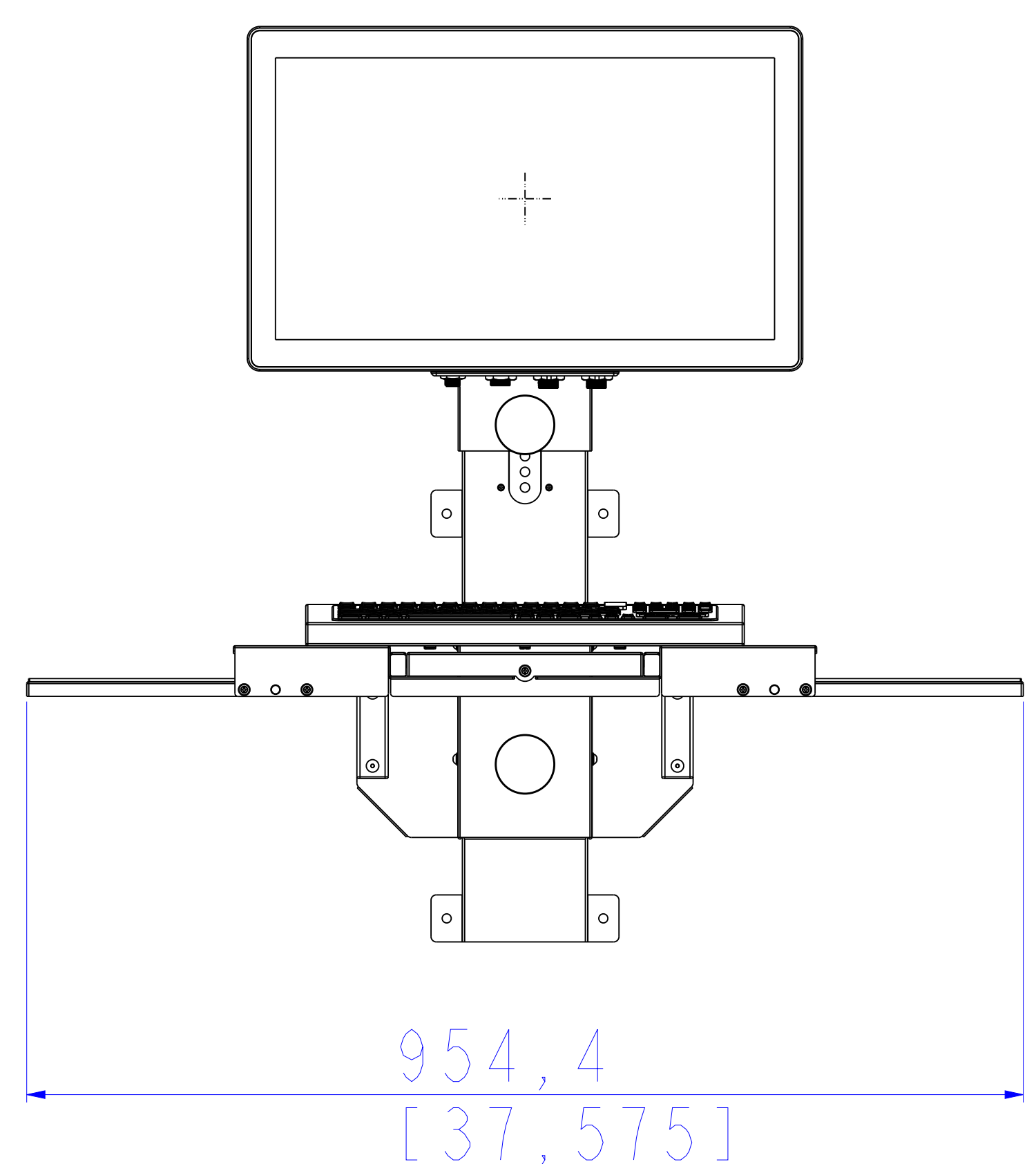
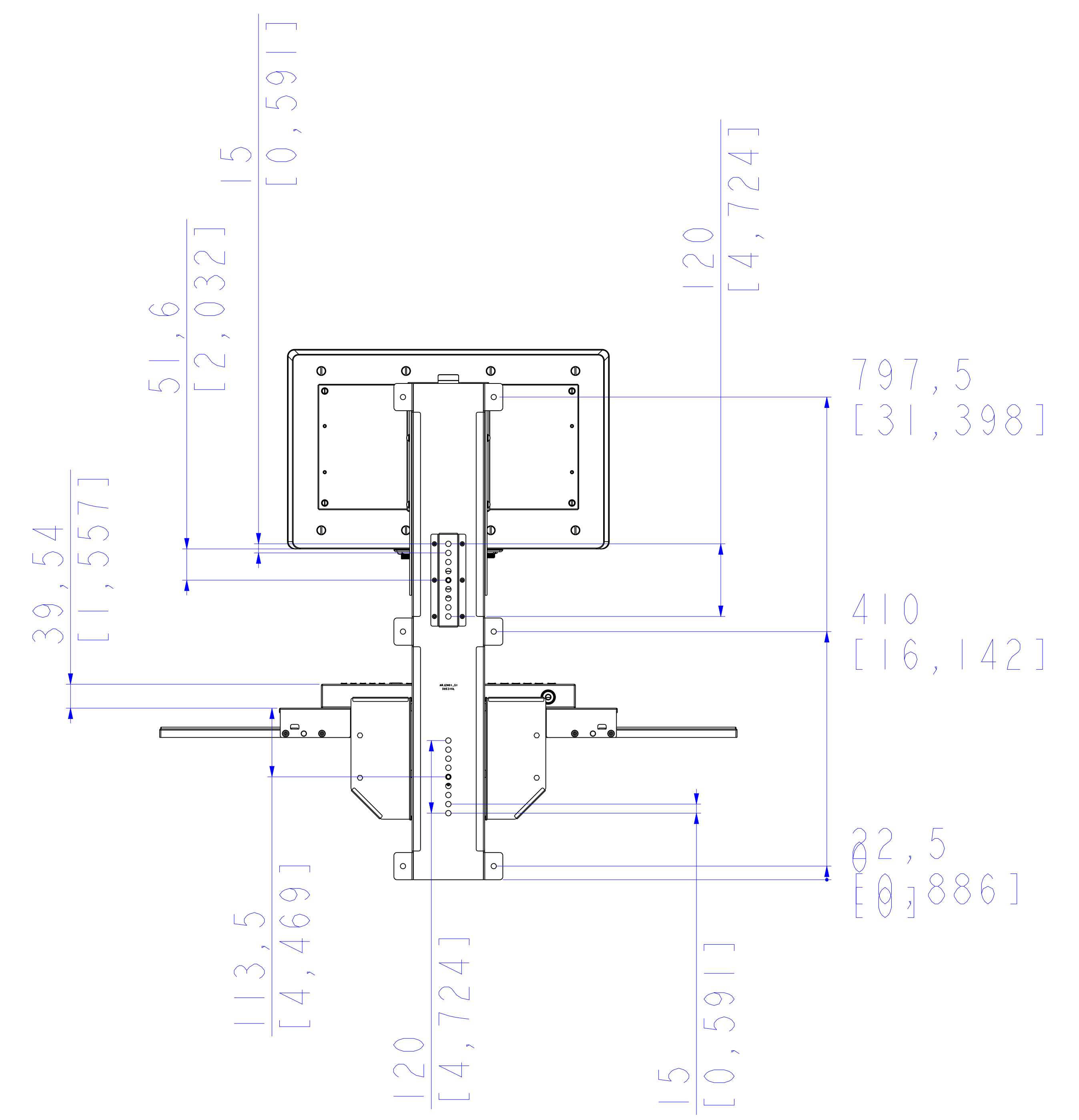
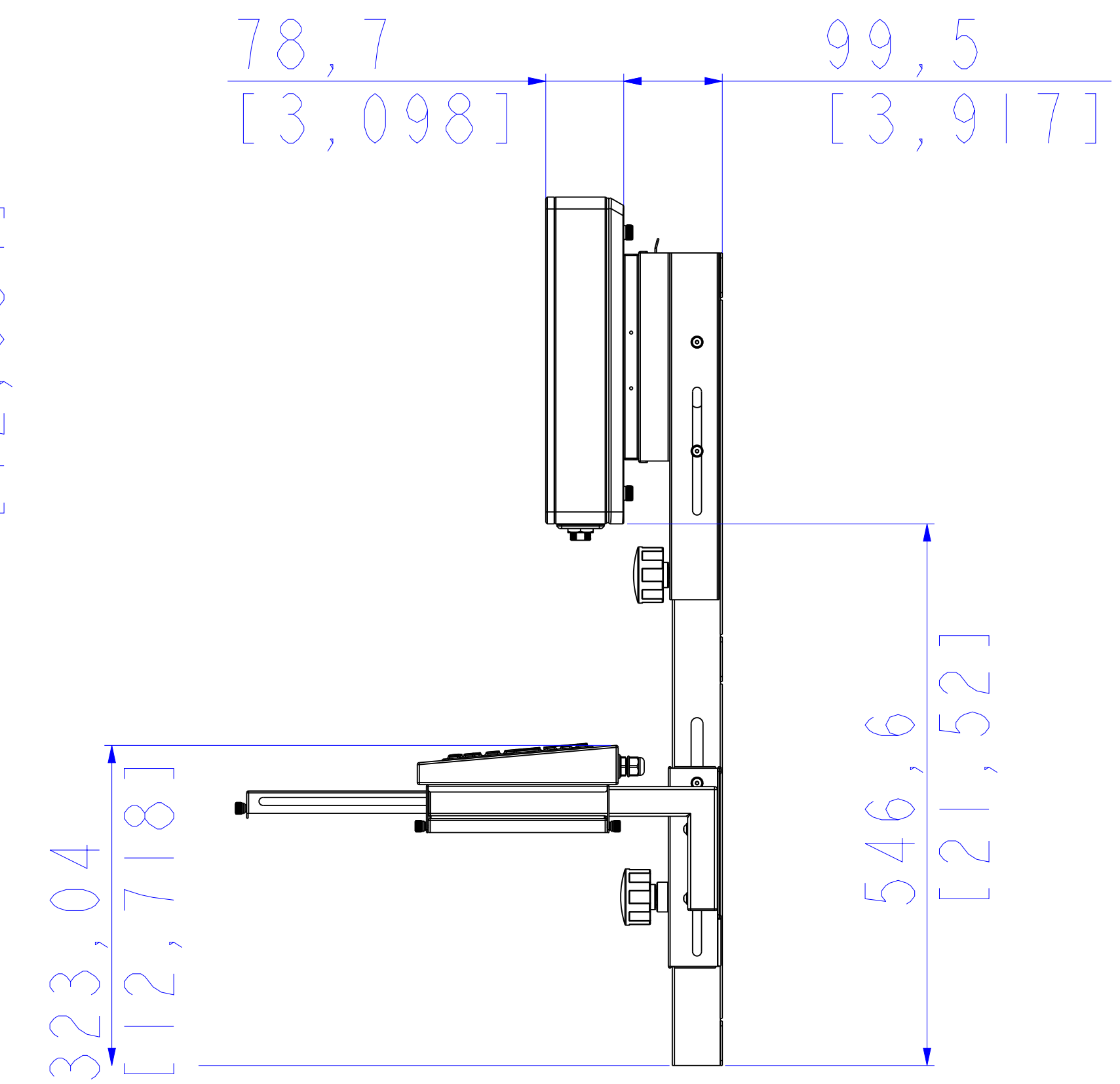
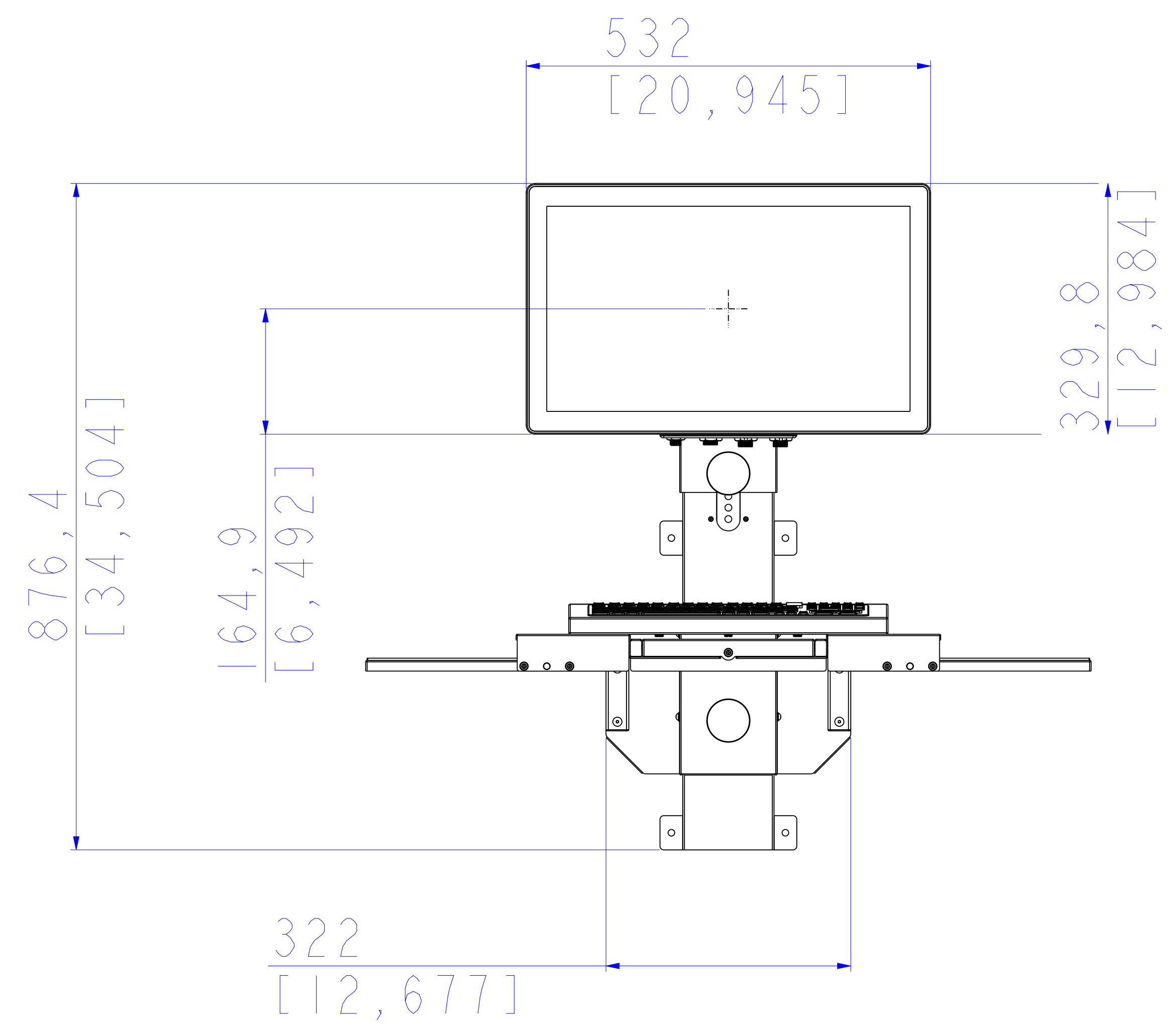
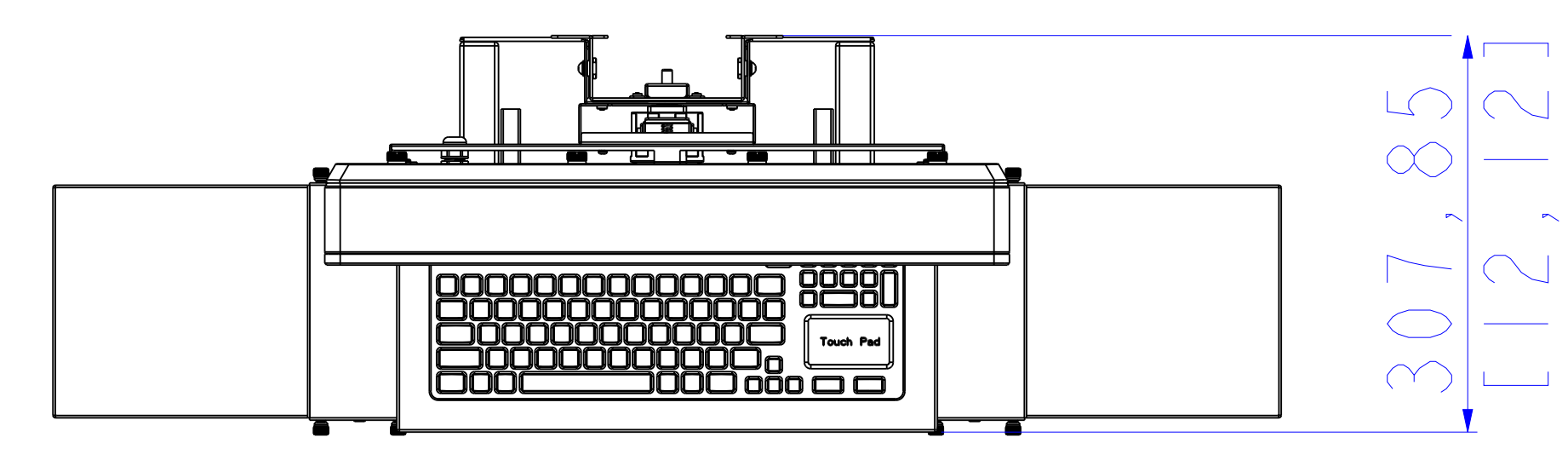
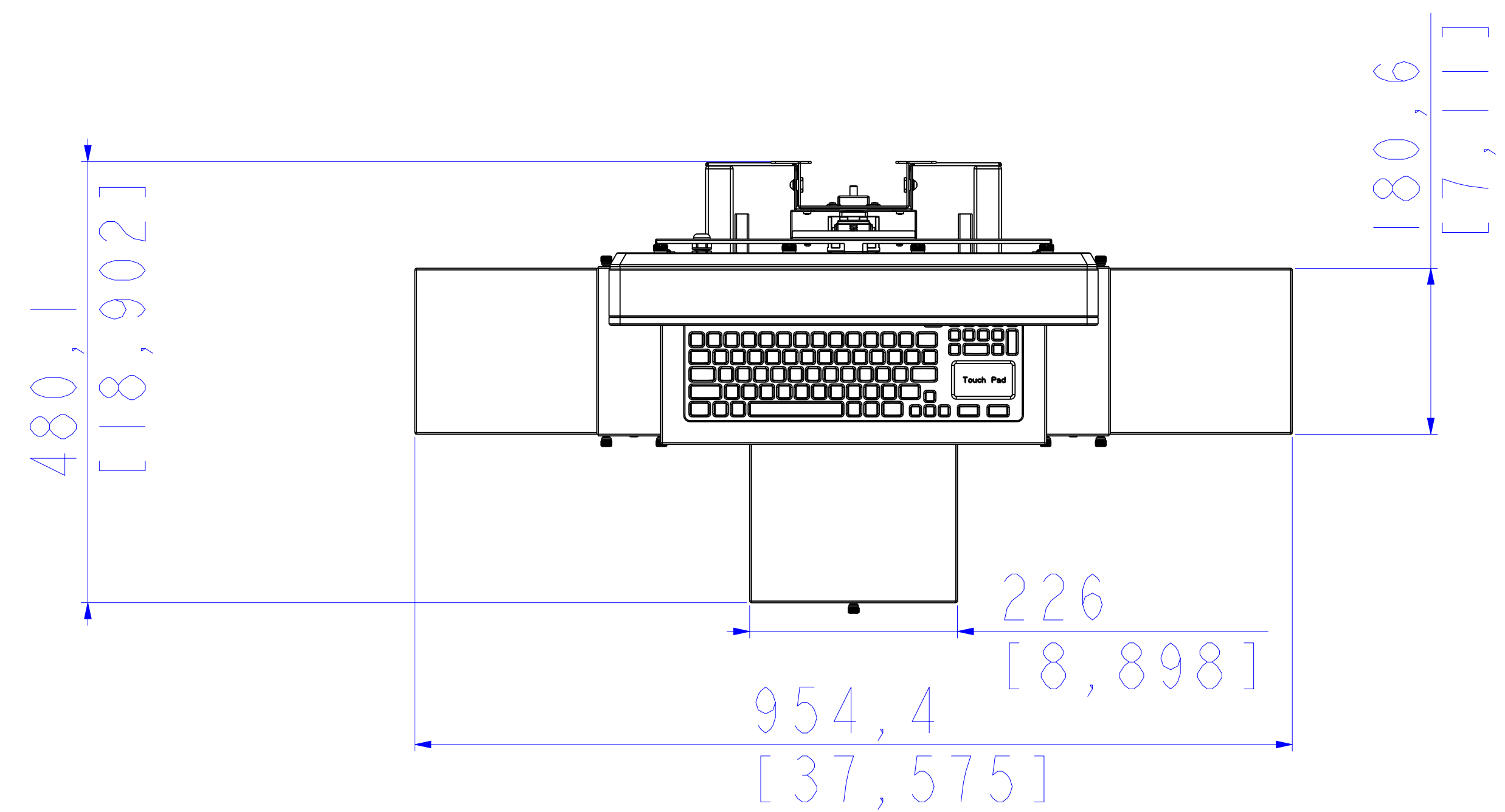


ITEM NO:

| PART LIST | | |
|-----------|-----|-------------|
| ITEM | QTY | DESCRIPTION |
| | | |
| | | |



ALL DIMENSIONS IN MILLIMETRES
THIRD ANGLE PROJECTION

| ZONE | REV | DESCRIPTION | DATE | APPROVED |
|------|-----|-------------|------|----------|
| | | | | |

The information disclosed on this document is the exclusive property of ARISTA CORPORATION. Reproduction, disclosure, or the use of this document or information without the written permission of ARISTA CORPORATION is prohibited.

| TOLERANCES | | |
|------------|-------|-------|
| Ø | B | C |
| 0-30mm | ±0.1 | ±0.25 |
| 30-120mm | ±0.15 | ±0.46 |
| 120-315mm | ±0.2 | ±0.6 |
| >315mm | ±0.3 | ±1.1 |

DATE: 2021-12-23

DESIGN: YOYO

SIZE: A0

SCALE: 1:1

INVENTORY NO:

SHEET: OF

ARISTA ARISTA CORPORATION
41300 Boyce Rd., Fremont, CA 94538

TITLE: AMA-3821AX-WALL_MOUNT-2